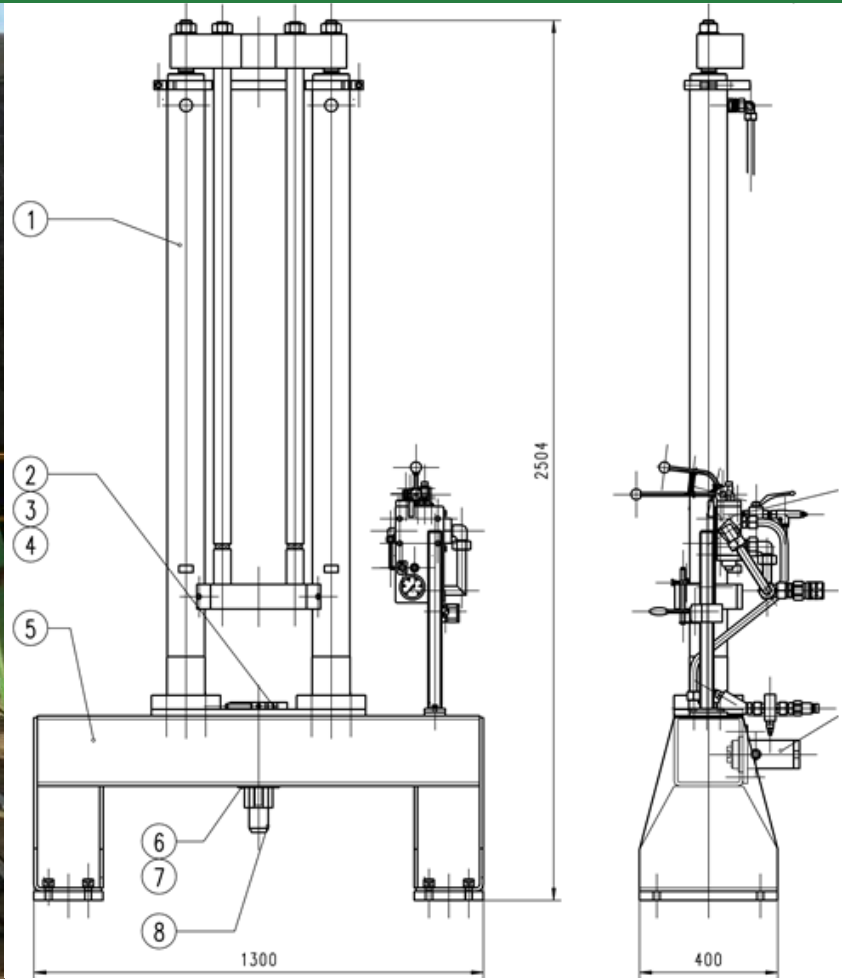




# OW1 Overwater rams



<b>Rig weight</b>	0.7 T
<b>Maximum operating ram capacity</b>	18 T
<b>Maximum ram speed</b>	6 cm/s
<b>Length</b>	1.30 m
<b>Width</b>	0.40 m
<b>Height</b>	2.50 m
<b>Noise output at 2 m</b>	88 dBA
<b>Clamp arrangement</b>	Geomil 3655 manual & backup + floor holding clamp & backup
<b>Ram stroke</b>	1.35 m
<b>Support casing arrangement for 20t force</b>	Max 18" BS 879 or else moonpool diameter Nested 4" / 6" / 8" typical for < 16 m unsupported span

This robust, powerful unit is ideal for marine CPTs, pressuremeter, sampling and instrumentation installation.

They are self-contained and supplied with a hydraulic power pack, generator and data logging system.

The ram system can be mounted or bolted to the platform, or even integrated into the drilling masts to perform CPTs within boreholes to allow fast and effective testing between drill-outs.

The rams have a deep underside access area to allow stickup of multiple nested support casings. This feature allows for full penetration force with large unsupported deck to seabed spans.